



**MOTOROLA**

# *MTM800 Enhanced TETRA Mobile Terminal Installation Manual*



**American Communication Systems**

*Discover the Power of Communications™*

***TO ORDER—VISIT <http://www.ameradio.com>***

Publication Number  
6866539D30-L



When printed by Motorola



## Remote Mount Installation

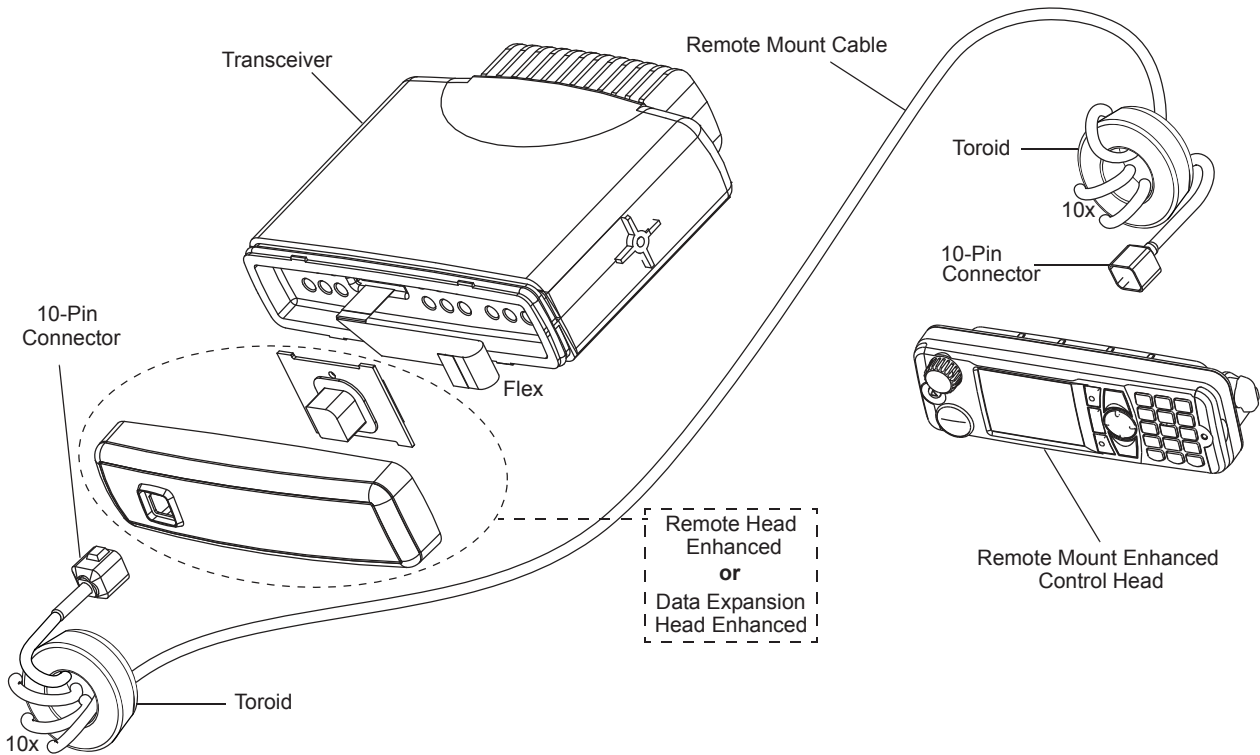


Figure 11 Remote Mount Installation with Remote Head Enhanced/Data Expansion Head Enhanced

Table 5 Associated Components for Remote Mount

Item	Description	Part Number
1	Remote Mount Cable, 3 m	RKN4077
2	Remote Mount Cable, 5 m	RKN4078
3	Remote Mount Cable, 5 m	RKN4079
4	Remote Mount Cable, 10 m	PMKN4020
5	Speaker Extension Cable	GMKN4084
6	Remote Head Enhanced	PMLN4904
7	Data Expansion Head Enhanced	PMLN4908
8	Toroid EMC Suppression Kit	01015001001



**NOTE**

The Remote Mount Cable have to be wound 10 times around each toroid.

Each toroid have to be placed 30.0±2.5 cm respectively from the expansion head and the control head.

Winding at both ends reduces the effective cable length approximately by 0.8 m.

Fix the toroids firmly to a stable surface once the Remote Mount Cable is connected.

### Installing the Remote Mount Enhanced Control Head onto the Remote Mount Trunnion

1. Slide the Remote Mount Enhanced Control Head onto the mounting trunnion until it snaps into place.
2. Tighten the screws at both sides of the trunnion. After a few turns, tilt the control head for an optimum view of the display. Then, complete the tightening of the screws.

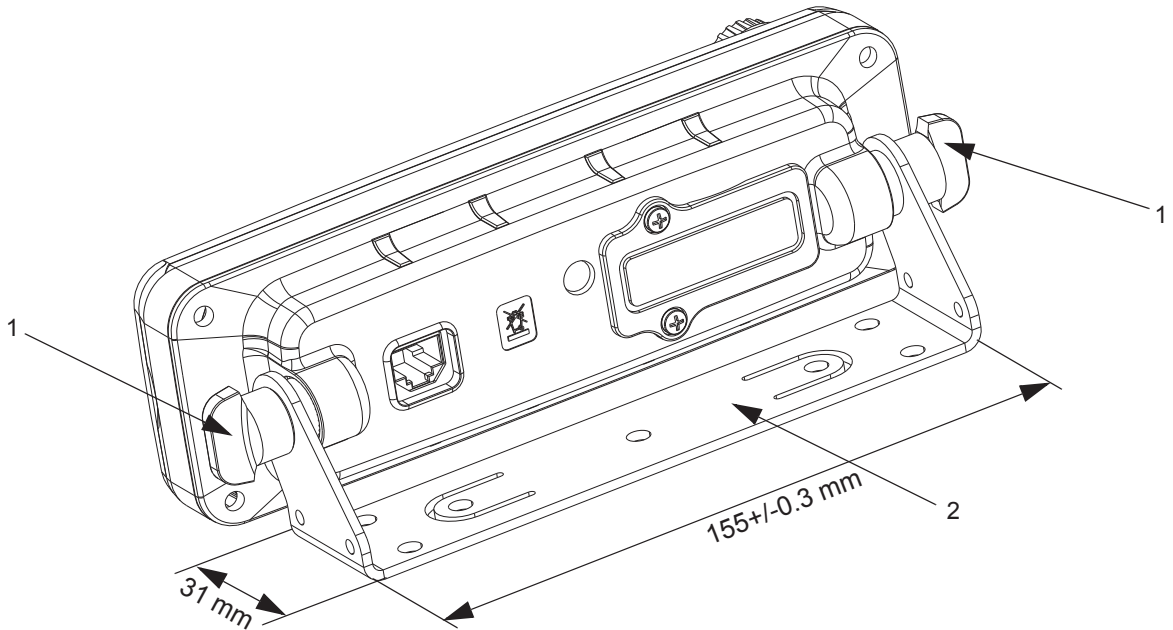


Figure 12 Remote Mount Enhanced Control Head Installation with Remote Mount Trunnion

Table 6 Remote Mount Enhanced Control Head Installation with Remote Mount Trunnion  
- Mechanical Parts List for Installation

Item	Description	Part Number
1 & 2	Remote Mount Trunnion Kit	PMLN4912